

Lexus LC500 Exhaust Valve Controller – User's Manual

ItGoes Automotive

ItGoes Automotive Lexus LC500 Exhaust Valve Controller User Manual – Version: 1

User's Manual

Document: „ItGoes Automotive Lexus LC500 Exhaust Valve Controller User Manual” – Version: 1

Table of contents

1. Getting Started.....	4
1.1. Welcome.....	4
1.2. Package Contents.....	5
1.3. Tools Needed.....	5
2. Step By Step Installation Guide.....	6
2.1. Accessing the Exhaust Change Valve Drivers.....	6
2.1.1. Removing Carpet and Deck Board.....	7
2.1.2. Removing Rope Hook Assemblies.....	7
2.1.3. Removing Trim Covers.....	9
2.1.4. Removing Luggage Compartment Trim Box.....	10
2.2. Installation.....	11
2.2.1. Accessing the Connectors.....	11
2.2.2. Disconnecting the Connectors.....	11
2.2.3. Installing the Harness.....	12
2.3. Installing the Module.....	13
2.4. Testing.....	13
2.5. Pairing Remote With Homelink.....	14
2.6. Putting Everything Back Together.....	15
3. Configurable and Replaceable Components.....	18

1. Getting Started

1.1. Welcome

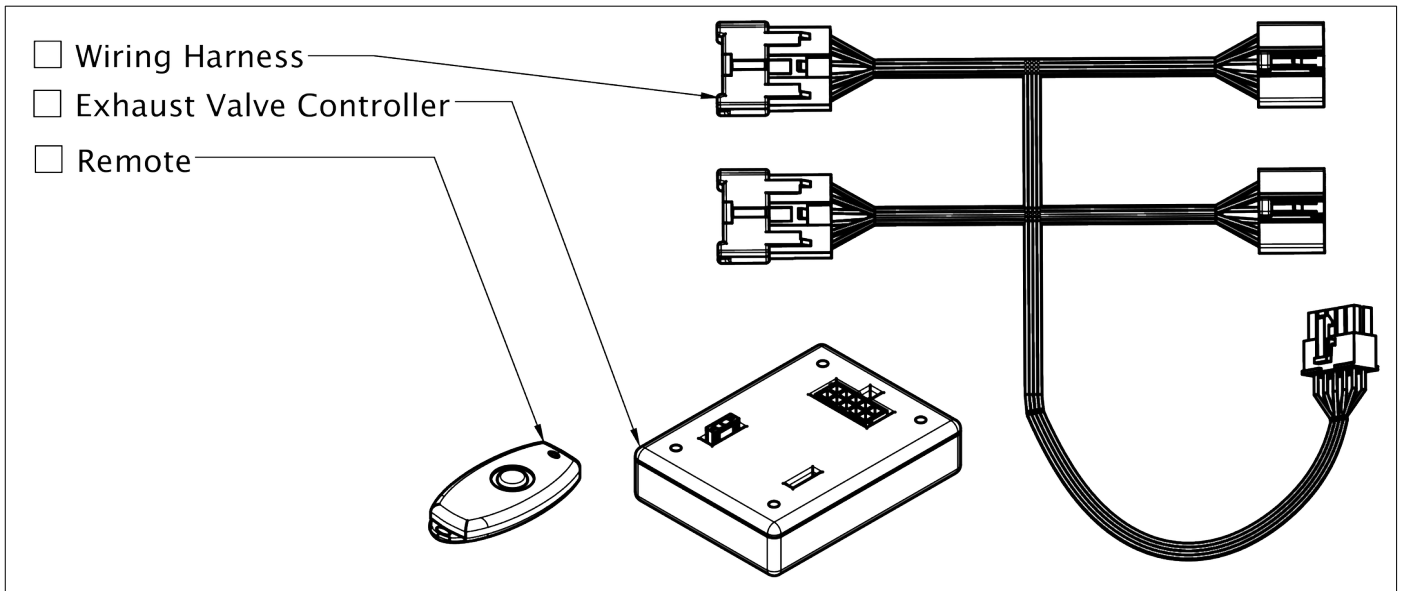
Thank you for your purchase of the ItGoes Automotive Exhaust Valve Controller. This device enables manual control of the exhaust valves with the touch of a button. It is compatible with Lexus LC 500 Coupe and Convertible models 2018 – Present, and works with world wide models both left and right hand drive.

Below is a link to the video installation instructions on YouTube:

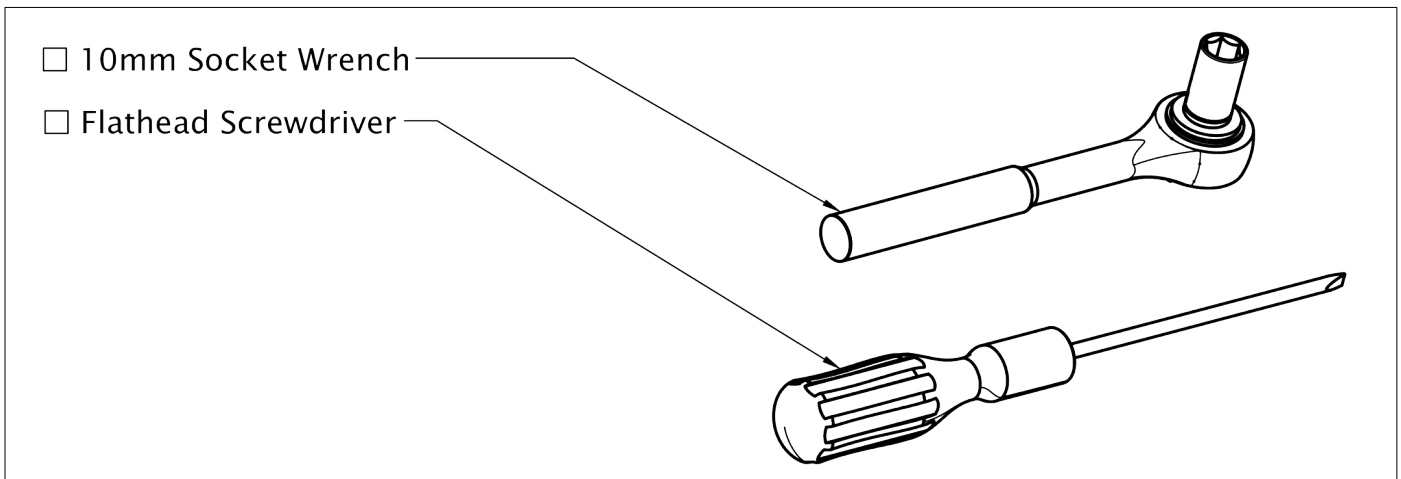
LC 500 Exhaust Valve Controller Install Walkthrough

<https://youtu.be/ZleXiScHqpk>

1.2. Package Contents



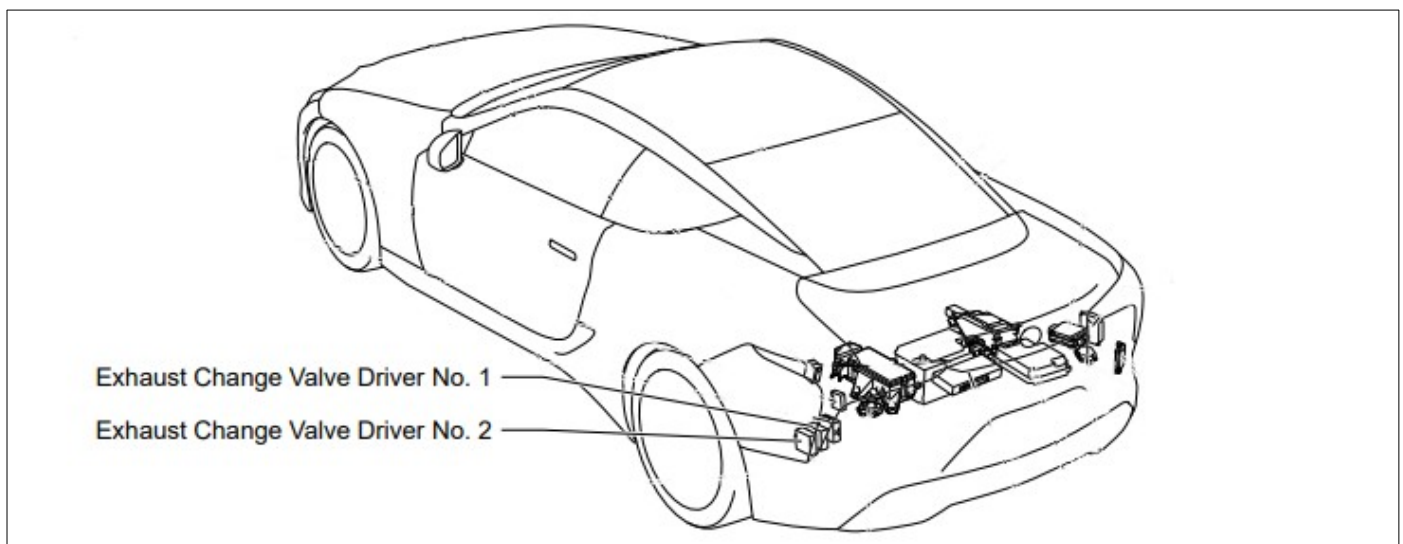
1.3. Tools Needed



2. Step By Step Installation Guide

2.1. Accessing the Exhaust Change Valve Drivers

To install the device, some disassembly of the luggage compartment is required to access the exhaust change valve drivers. The partial disassembly and reassembly is relatively easy to complete and will not cause any permanent change or damage to your vehicle.

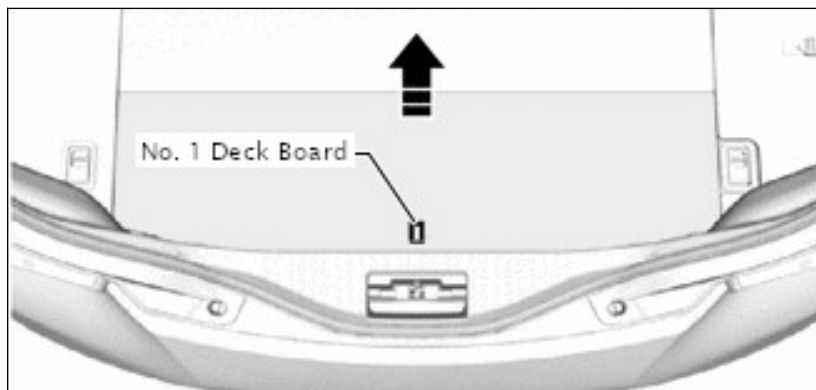


As shown above, the compartment that houses the exhaust change valve drivers is located underneath the left hand side of the luggage floor.

Be sure to open the luggage compartment and remove any personal items before you begin the installation process.

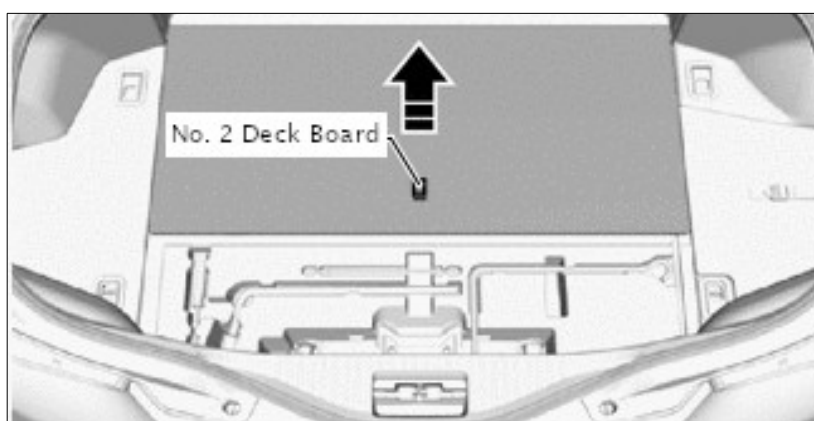
2.1.1. Removing Carpet and Deck Board

- Remove the carpet located on the floor of the luggage compartment.



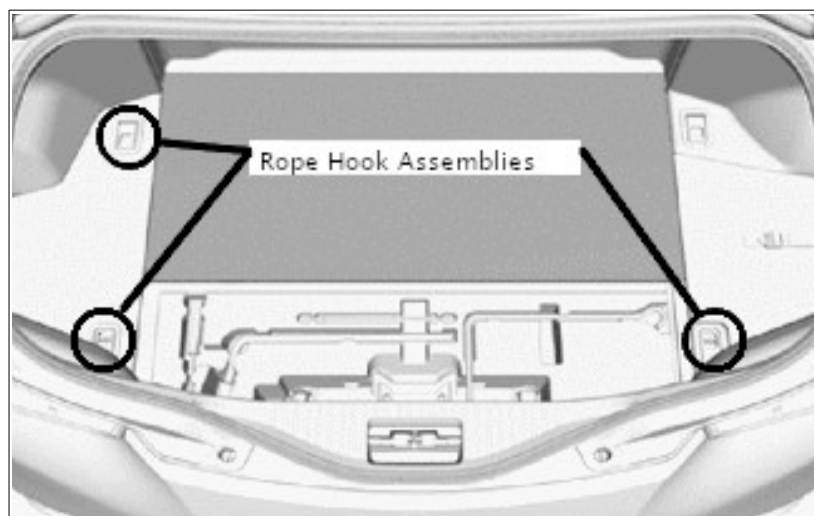
- Lift up the strap and remove the No. 1 deck board.

- Lift up the strap and remove the No. 2 deck board.

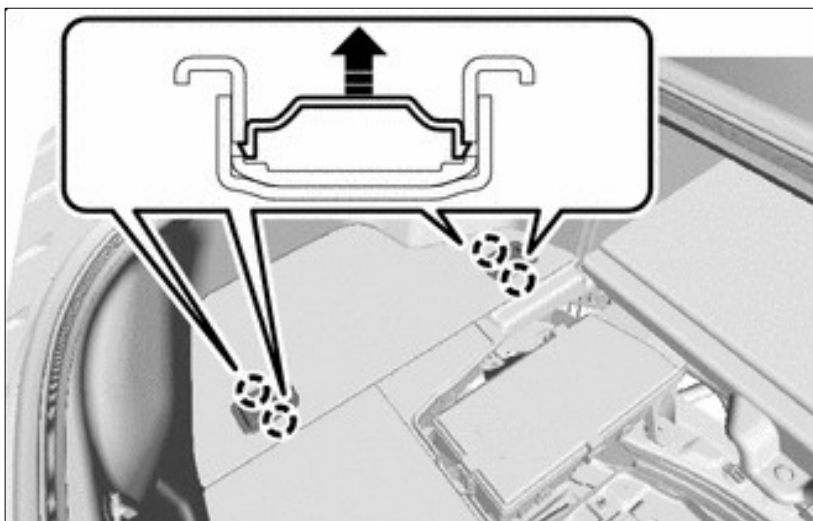
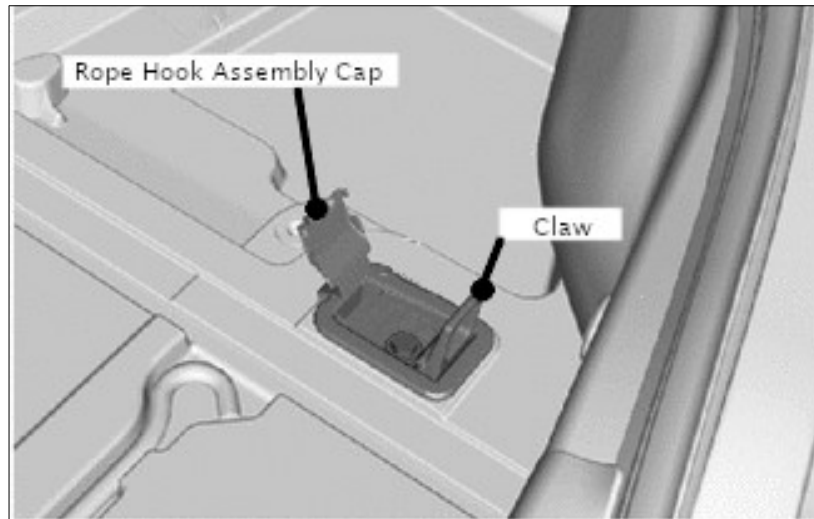


2.1.2. Removing Rope Hook Assemblies

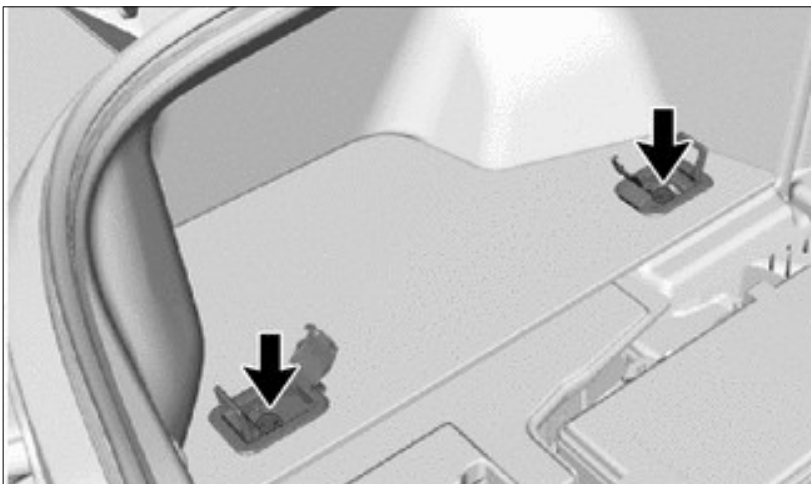
- Locate the rope hook assemblies on the left and right hand sides of the luggage compartment. There are 4 in total. The 3 circled below will need to be removed.



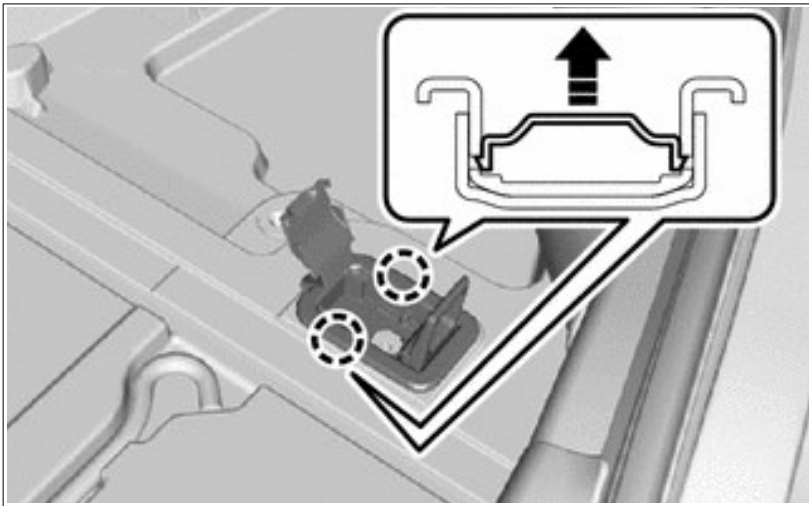
As shown below, each rope hook assembly includes a claw and rope hook assembly cap.



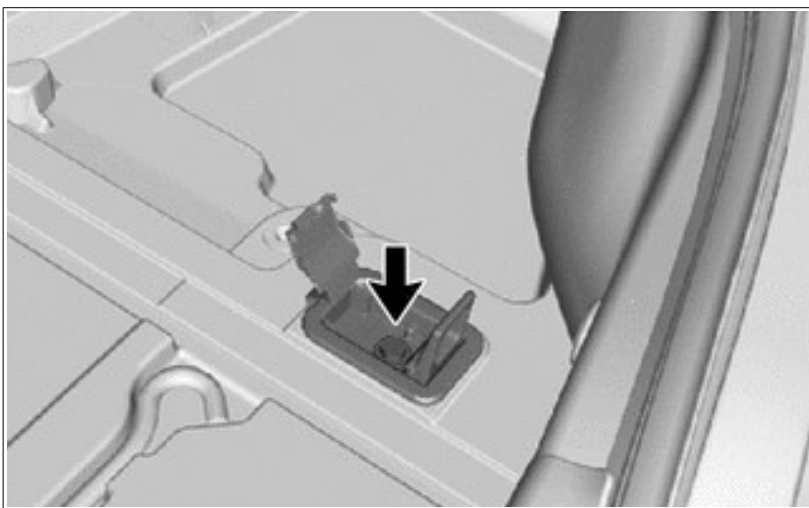
□ Starting with the left hand side rope hook assemblies, detach the claws by pulling them away from the center of the luggage compartment. Then open the rope hook assembly caps. Use the tip of a flathead screwdriver and gently insert it underneath the cap near the base of the claw and push towards the center of the luggage compartment.



□ Using a 10mm socket wrench, remove the 2 bolts. Then remove the 2 rope hook assemblies. Set them aside in a safe place until ready to reinstall.



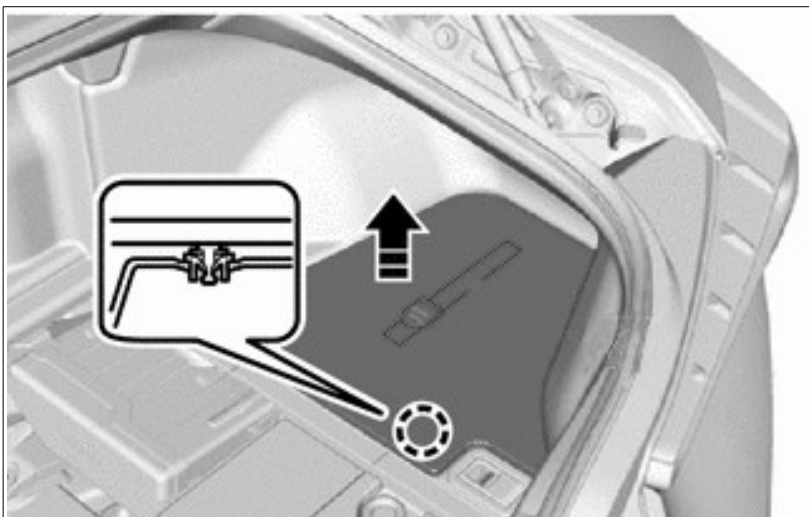
□ On the right hand side rope hook assembly, detach the claw by pulling them away from the center of the luggage compartment. Then open the rope hook assembly cap. Use the tip of a flathead screwdriver and gently insert it underneath the cap near the base of the claw and push towards the center of the luggage compartment.



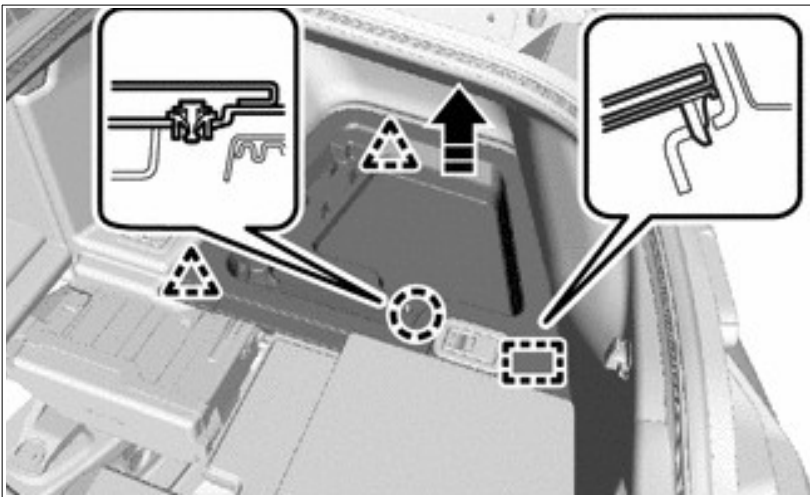
□ Using a 10mm socket wrench, remove the bolt. Then remove the rope hook assembly. Set it aside in a safe place until ready to reinstall.

2.1.3. Removing Trim Covers

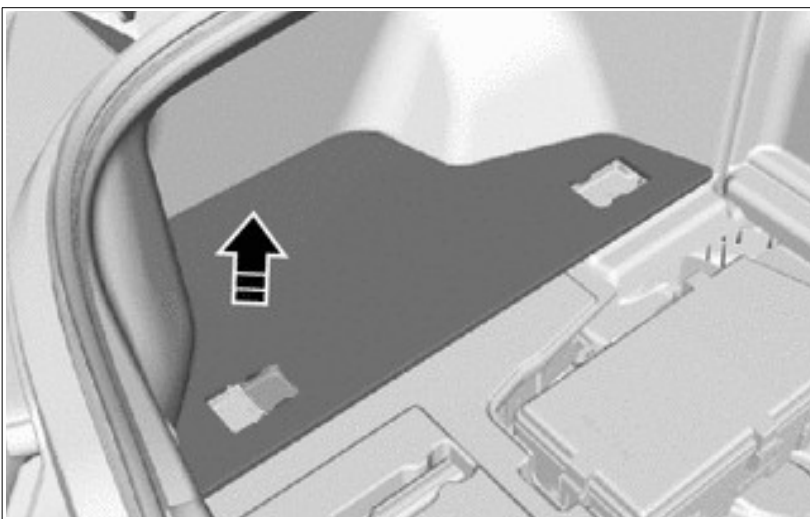
Now that the rope hook assemblies are out of the way, the trim covers and boxes will be removed.



□ Remove the right hand side luggage compartment trim cover. Pull straight up. The small tab holding it in place should pop out easily.

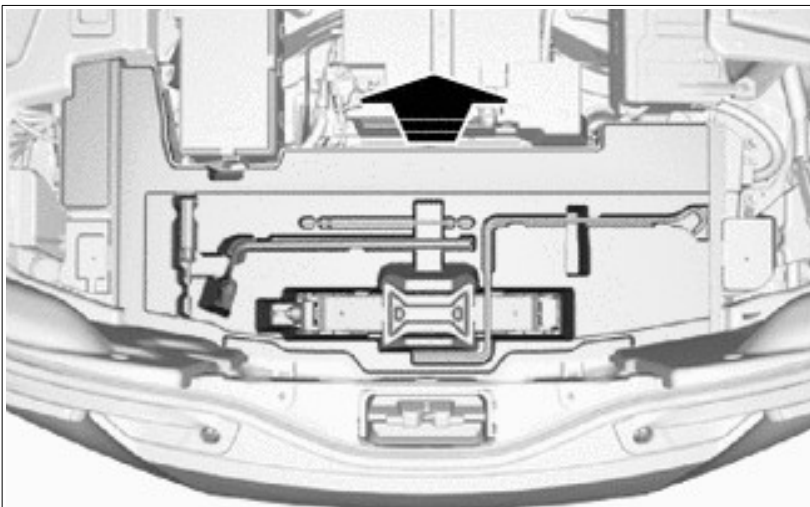


□ Remove the right hand side trim box. The fastening mechanism is the same as the one affixed to the trim cover but takes a slightly larger amount of force to open. Remember to pull straight up.



□ Remove the left hand side luggage compartment trim cover. The area we will be installing the exhaust valve controller in is under this cover.

2.1.4. Removing Luggage Compartment Trim Box

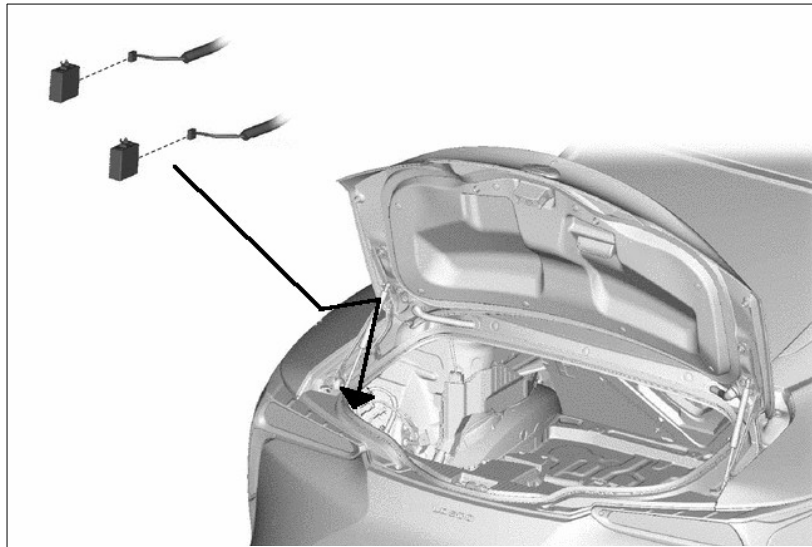


The foam is delicate near its thinner areas, so be careful when removing it as to not cause any damage.

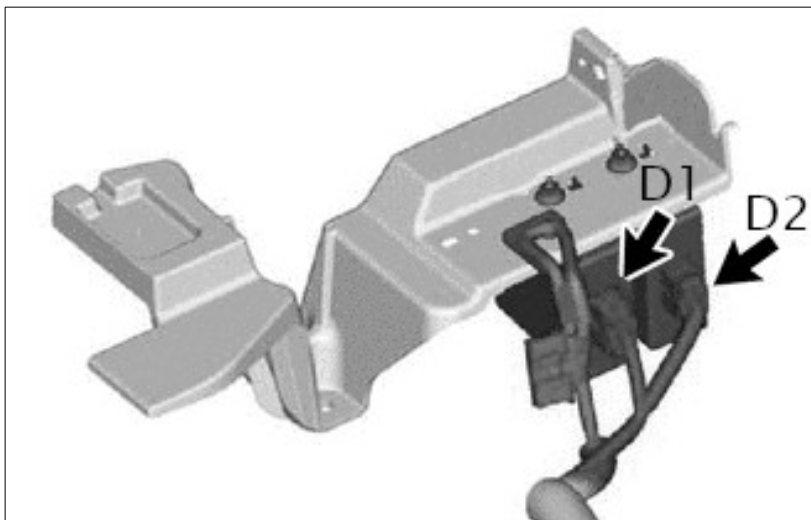
□ Grab the insert near the arrow. Putting a bit of pressure towards the back of the car, rotate the insert upward following the arrow direction.

2.2. Installation

The compartment that contains the exhaust change valve drivers is now fully accessible. Shown below is where you will find the connectors referenced in the next step.



2.2.1. Accessing the Connectors



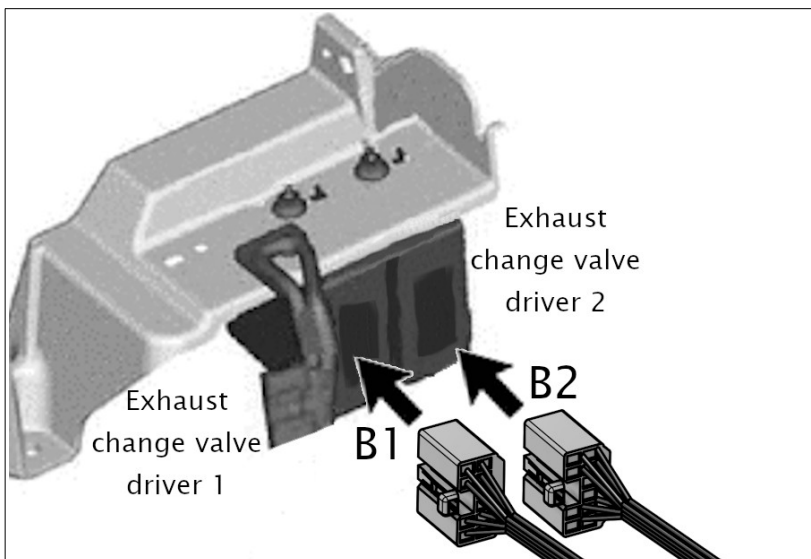
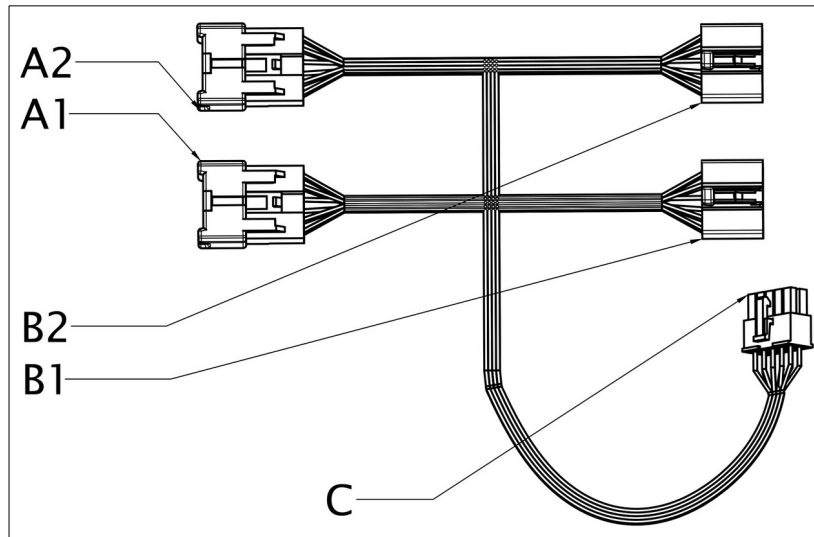
□ Locate connectors D1 and D2 in the space under the left hand side trim cover. They are bright blue.

2.2.2. Disconnecting the Connectors

- Take note of which connector is D1 and D2 when disconnecting, you will need to know which is which in a later step.
- Disconnect D1 and D2. Squeeze the mating connector housing halves together to release the lock and press the lock tab down to separate. You can use the tip of a flathead screwdriver to gently press the tab down if you are having difficulty reaching it with your fingers.
- When disconnecting, do not pull on the harnesses. Grasp the connectors directly and separate them.

2.2.3. Installing the Harness

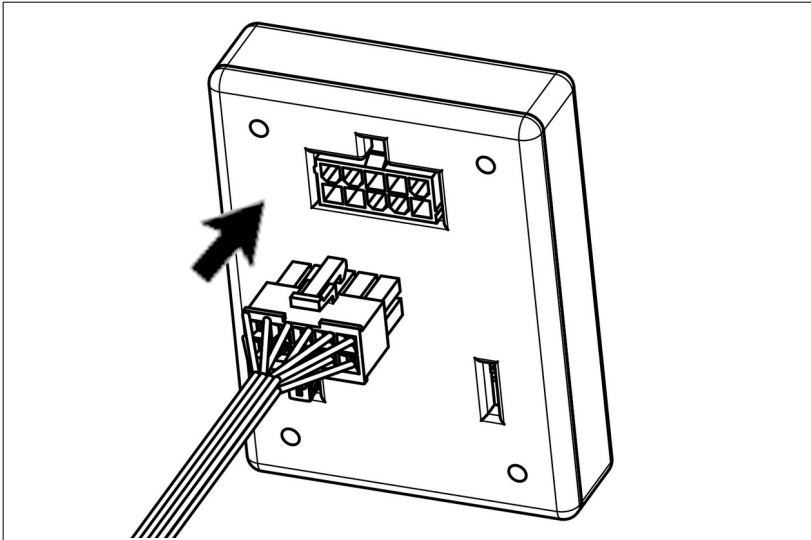
Shown below is a diagram of the wiring harness.



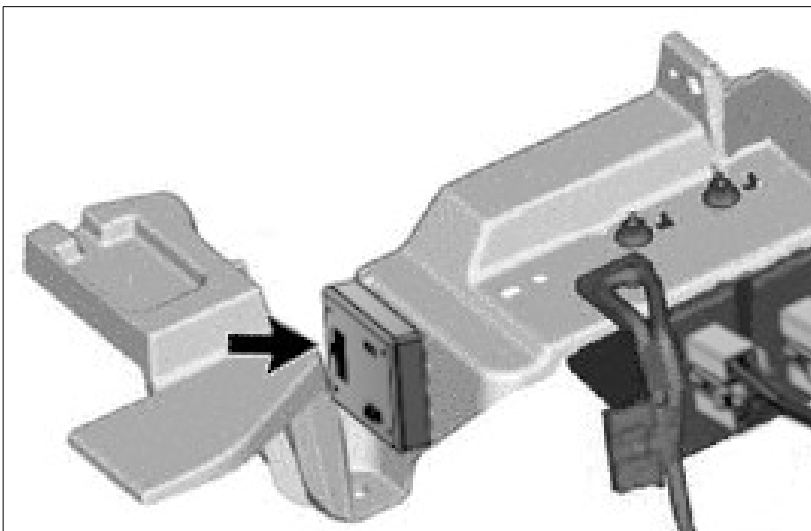
- Connect B1 to the exhaust change valve driver 1 slot.
- Connect B2 to the exhaust change valve driver 2 slot.
- When connecting, be sure the tabs face towards you and that you hear the connector click into place.

- Connect A1 to D1.
- Connect A2 to D2.

2.3. Installing the Module



- Connect the other end of the harness to the exhaust valve controller. Orient connector C on the harness with the lock tab facing towards the top of the unit. Press the connector into the slot on the exhaust valve controller until you hear a click.



- The exhaust valve controller will eventually be mounted on the no.3 deck board bracket using the 3M adhesive attached to the back. It is best to do this step at the very end to be sure everything is working properly first. For now, leave the unit near the deck board bracket.

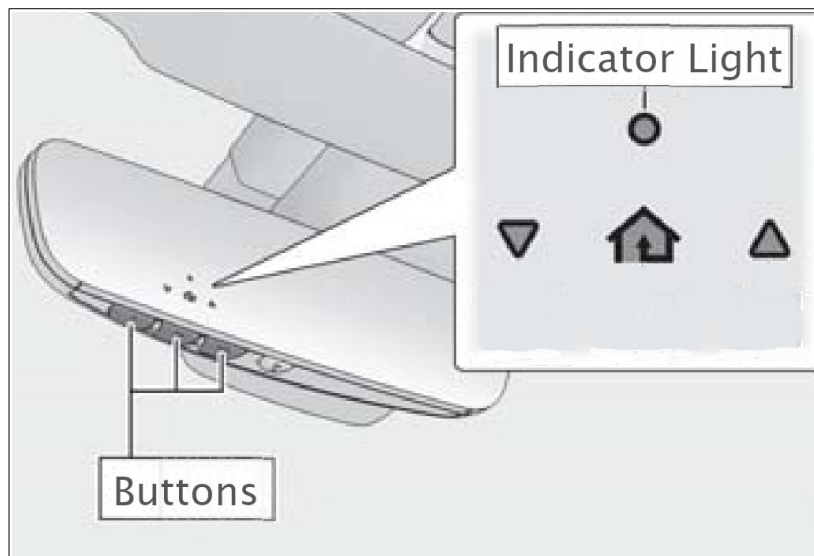
2.4. Testing

After installation, verify that everything is working as intended.

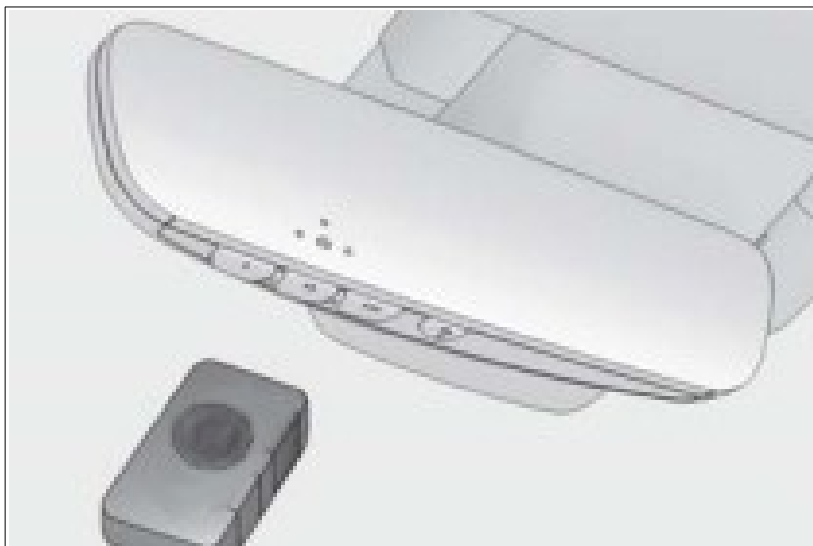
- Start the engine and let it idle in park. While standing at the back of the car, hold your hand over one of the outer exhaust pipes. Using the remote that was included in the package, press the button to toggle the valves open and closed. There should be a noticeable difference in the exhaust gasses when toggling the valves. Do the same for the other outer exhaust pipe.

2.5. Pairing Remote With Homelink

- Locate the buttons and indicator light on the Homelink system.



The remote can optionally be paired with one of the buttons on the Homelink system in your vehicle. If paired, the selected button on the Homelink will control the exhaust valves identically to the button on the remote.



- Select one of the buttons on the Homelink that will be programmed to control the exhaust. Hold that button down until the indicator light starts to blink orange. This should take about 20 seconds.
- When the light is blinking orange, hold the button on the remote until the indicator light changes from blinking orange to solid green.

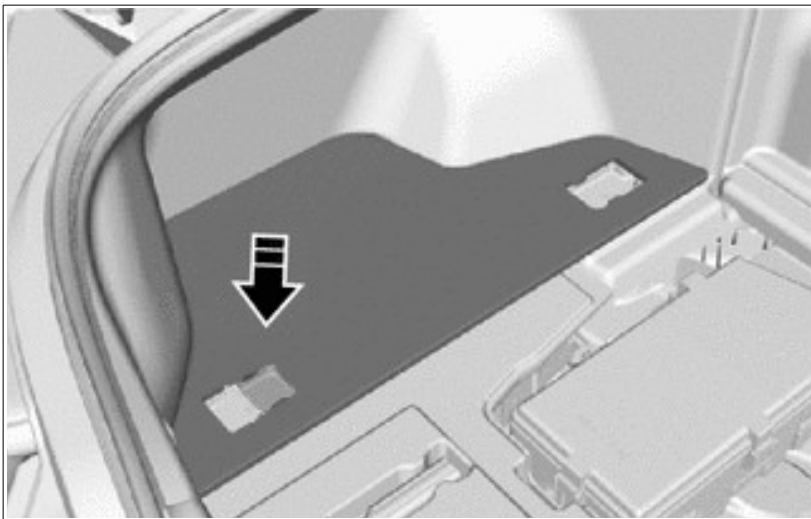
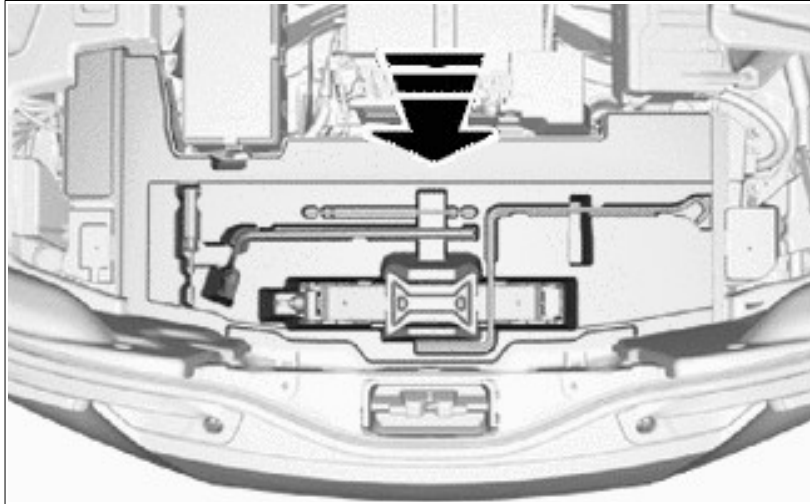
The Homelink button is now paired with the exhaust valve controller.

Refer to the Homelink section of the LC500 owners manual for more detailed instructions on programming the homelink.

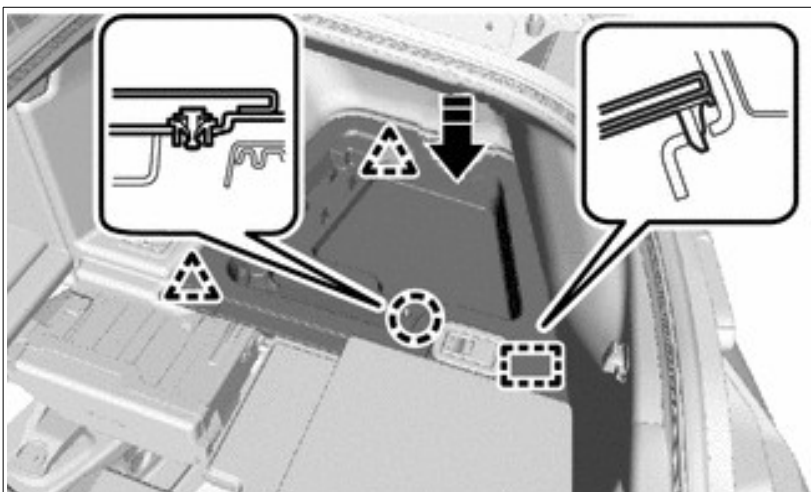
Note: At this point, it is a good time to mount the exhaust valve controller unit to the deck board bracket using the 3M adhesive strip attached to the back of the unit.

2.6. Putting Everything Back Together

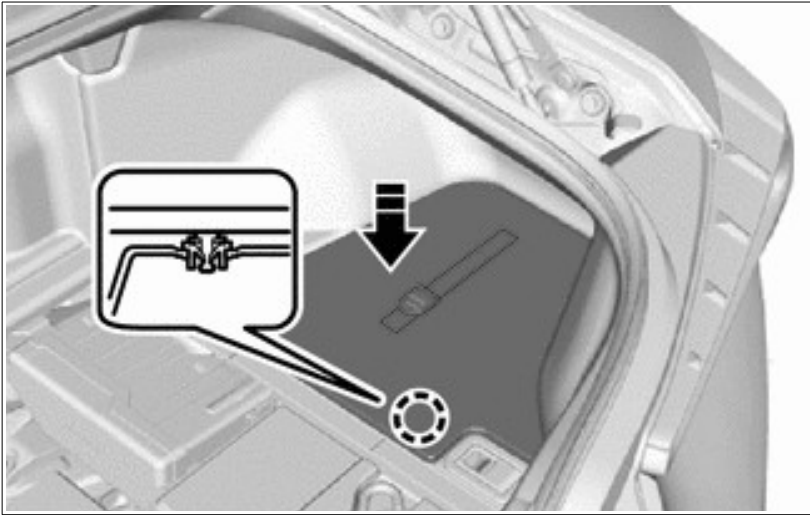
- Replace the luggage compartment trim box. It is easier to position if you put it in at an angle with the edge towards you coming in first. Then just use the opposite motion of how it was removed by applying pressure towards you and down.



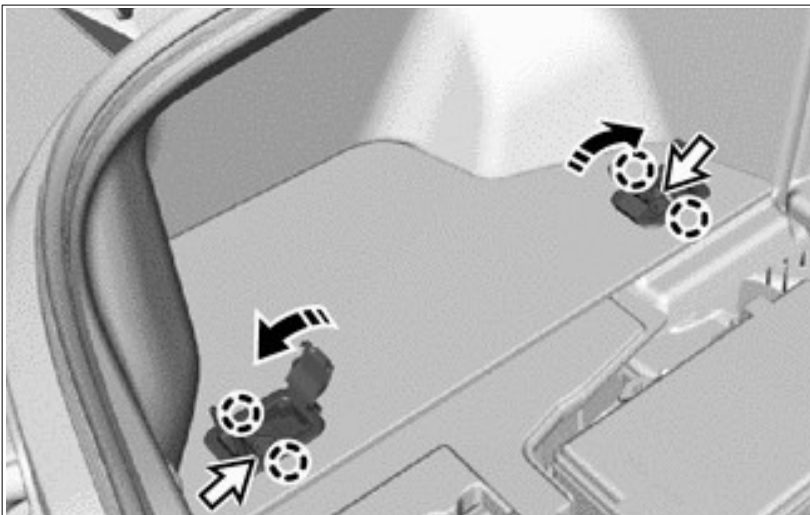
- Replace the left hand luggage compartment trim cover by setting it in place.



- Replace the right hand side trim box. After setting it in place, apply downward pressure. You should hear two clicks indicating that the clips have been re engaged.

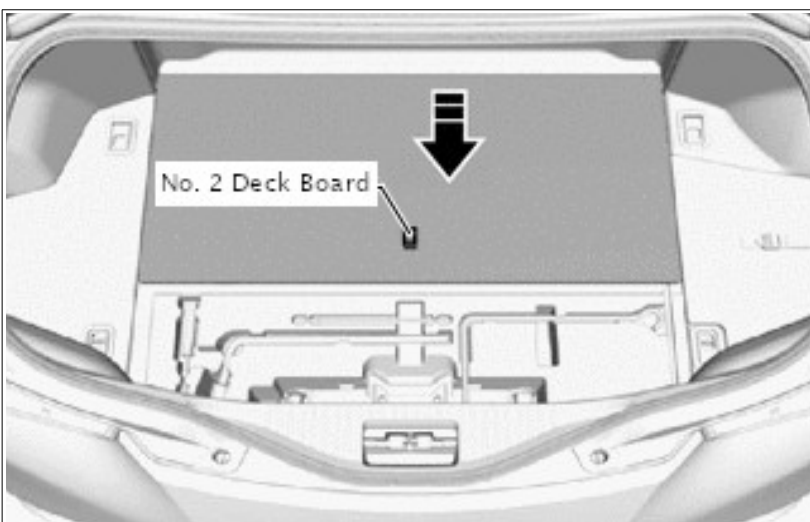


- Replace the right hand side luggage compartment trim cover. After setting it in place, apply downward pressure. You should hear a click indicating that the clip has been re engaged.

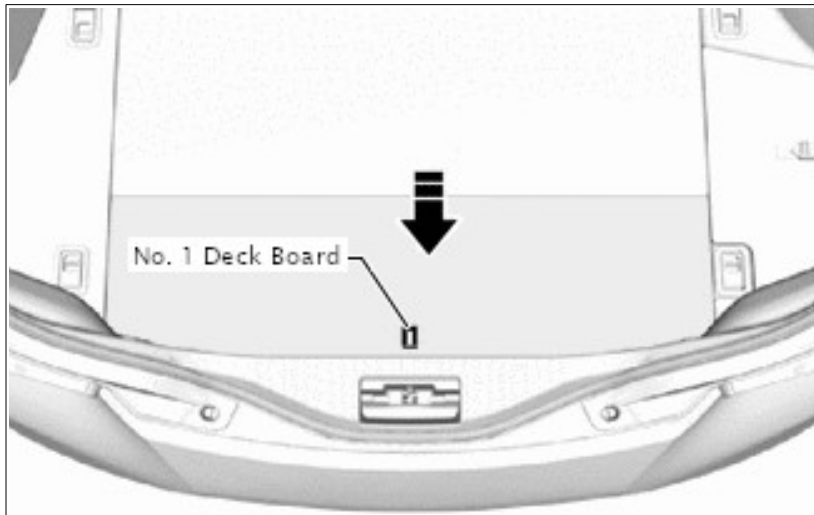


- Replace rope hook assemblies on both the right and left hand side trim boxes. Use the 10mm socket wrench to tighten the bolts back in place.

Note: The recommended torque for these bolts is 62 inch pounds (7 newton meters or 71 kilogram-force per centimetre square).



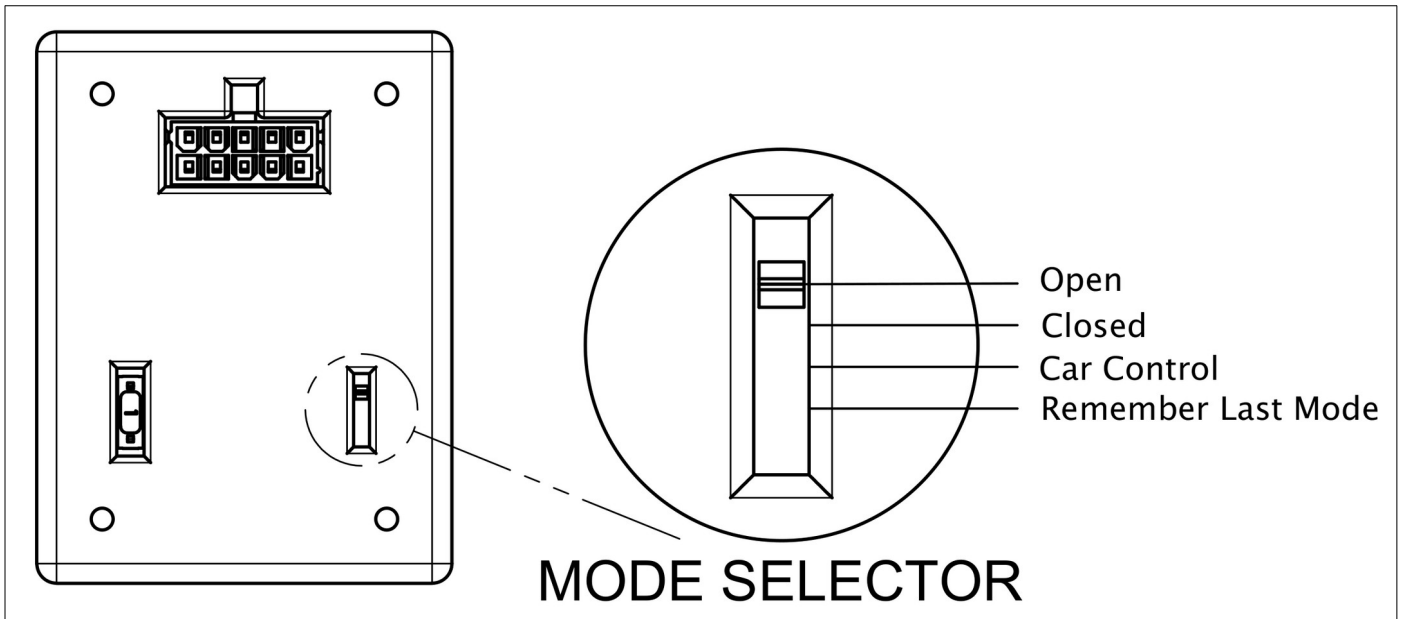
- Replace the No. 2 deck board.



□ Replace the No. 1 deck board.

□ Replace the carpet.

3. Configurable and Replaceable Components



- There are 4 startup modes for the exhaust valve controller. These are indicated above. To toggle between modes, use a small slender object like the tip of a pair of tweezers to move the switch between positions.